



# 400A Transfer Switch Kit Installation Instructions

## Kit conector de 400 A Instrucciones de instalación

## Trousse pour commutateur de transfert 400 A Directives d'installation

**⚠ WARNING** Transfer Switch contains hazardous voltage that can cause personal injury or death.



- Despite the safe design of the transfer switch, operating this equipment imprudently, neglecting its maintenance or being careless can cause possible injury or death.
- DO NOT work on equipment without removing 15 amp fuse in generator and placing generator switch in OFF position.
- To reduce risk of electrical shock or personal injury, disconnect all sources of supply voltage before servicing.

**⚠ WARNING** Certain components in this product and related accessories contain chemicals known to the State of California to cause cancer, birth defects, or other reproductive harm. **Wash hands after handling.**

**NOTICE** Only qualified electricians should attempt installation of this equipment, which must strictly comply with applicable codes, standards and regulations.

### Contents:

This transfer switch hookup kit includes:

Part No.	Quantity	Description
192151GS	1	FUSE HOLDER, 30 AMP, 2P
205110GS	2	FUSE, 600 V
197355GS	3	CLIP, LATCHING WIRE
207086GS	2	SCREW, #6-32 X 3/8"
74138GS	4	ADAPTER, DISCONNECT, MALE
207022AGS	1	WIRE ASSEMBLY A
207022BGS	1	WIRE ASSEMBLY B
207022CGS	4	WIRE ASSEMBLY C
207022DGS	1	WIRE ASSEMBLY D
207022EGS	1	WIRE ASSEMBLY E
196094GS	1	GROUND LUG
207087GS	1	THIS INSTRUCTION SHEET

Except for tools and installer-supplied signal wire, this kit contains most of the components necessary to adapt a Briggs & Stratton standby generator to the transfer switches described herein. Depending on optional equipment, there may be some kit parts left over after installation.

## 400A Dynagen Transfer Switch (VTS2-0400-2-240-12-LM-N3-LS)

**Remove power to all components before working on them.**

**TIP:** Connect load wires first!

### Connect Load Manager to Transfer Switch

For the following connection procedure, refer to Dynagen Wiring Diagram (Figure 9); to the B&S load manager manual; and to the manuals packed with the Dynagen Transfer Switch.

1. Inside transfer switch enclosure, mount fuse holder (FH1, 192151GS) onto switch back plate using 2 screws (207086GS). DO NOT drill holes through rain proof enclosure.
2. Using existing screw (**A**, Figure 7) and existing ring lug (**B**), install male disconnect adapters (**C**, 74138GS) to both transfer switch contactor terminals on the generator side of the transfer switch. Torque screws to value listed in transfer switch.

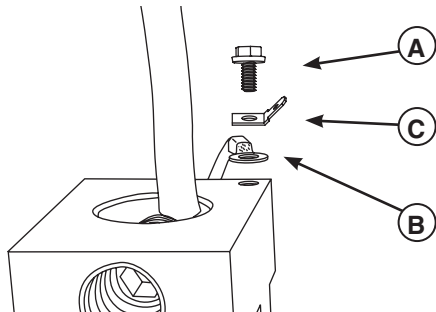


Figure 7 - Add Male Disconnect Adapters to Contactor Terminals

3. Connect Wire Assembly C to transfer switch male disconnect adapters (**C**, Figure 7) and other end to fuse holder (FH1). Repeat for the other leg of the generator.
4. Using installer-supplied 300VAC 18AWG copper wire, connect load manager terminal labeled "240VAC Generator" to other end of fuse holder (FH1).
5. Route and secure wires in transfer switch using wire clips.
6. Install two fuses into fuse holder (FH1).
7. Connect two wires in transfer switch labeled TSCOMM (**D**, Figure 8) to load manager terminals labelled TSCOMM.
8. Using installer supplied 300VAC 18AWG copper wire, connect transfer switch CUSTOMER CONNECTIONS terminals labeled "BATTERY -" (**E**) and "BATTERY +" (**F**) to appropriate generator starting battery negative and positive terminals.

9. Install one current transformer supplied with the load manager on each leg on the load side of the transfer switch. Connect current transformer connections to CT1 and CT2 connectors on load manager control board.

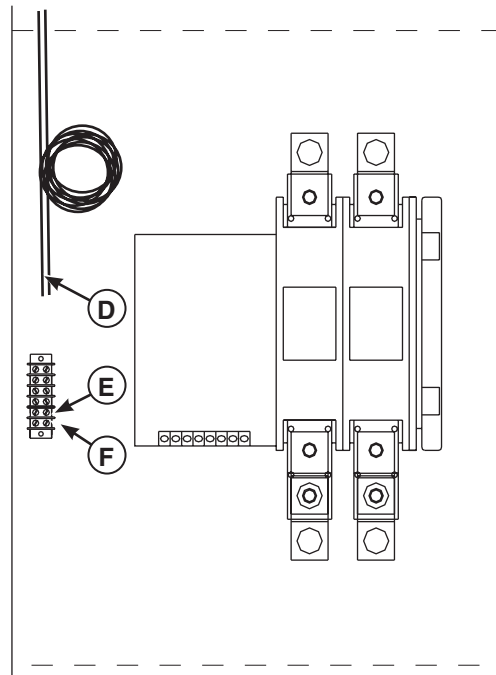


Figure 8 - Dynagen Customer Connections

### Connect Transfer Switch to B&S Generator

1. Inside transfer switch enclosure, mount installer-supplied fuse holder onto switch back plate. DO NOT drill holes through rain proof enclosure.
2. Using existing screw (**A**, Figure 7) and existing ring lug (**B**), install male disconnect adapters (**C**, 74138GS) to both transfer switch contactor terminals on the utility side of the transfer switch. Torque screws to value listed in transfer switch.
3. Connect Wire Assembly C to transfer switch male disconnect adapter installed in step 2 above and other end to fuse holder. Repeat for the other leg of utility power.
4. Using installer-supplied 300VAC 18AWG copper wire, connect generator 240VAC sensing terminals other end of fuse holder. See Figure 9 for wiring diagram.
5. Install installer-supplied fuses into fuse holder.
6. Refer to Dynagen VTSC100 transfer switch controller manual, beginning on page 10, to set TDEN (Time Delay Emergency to Normal) adjustment to 10 seconds or less.

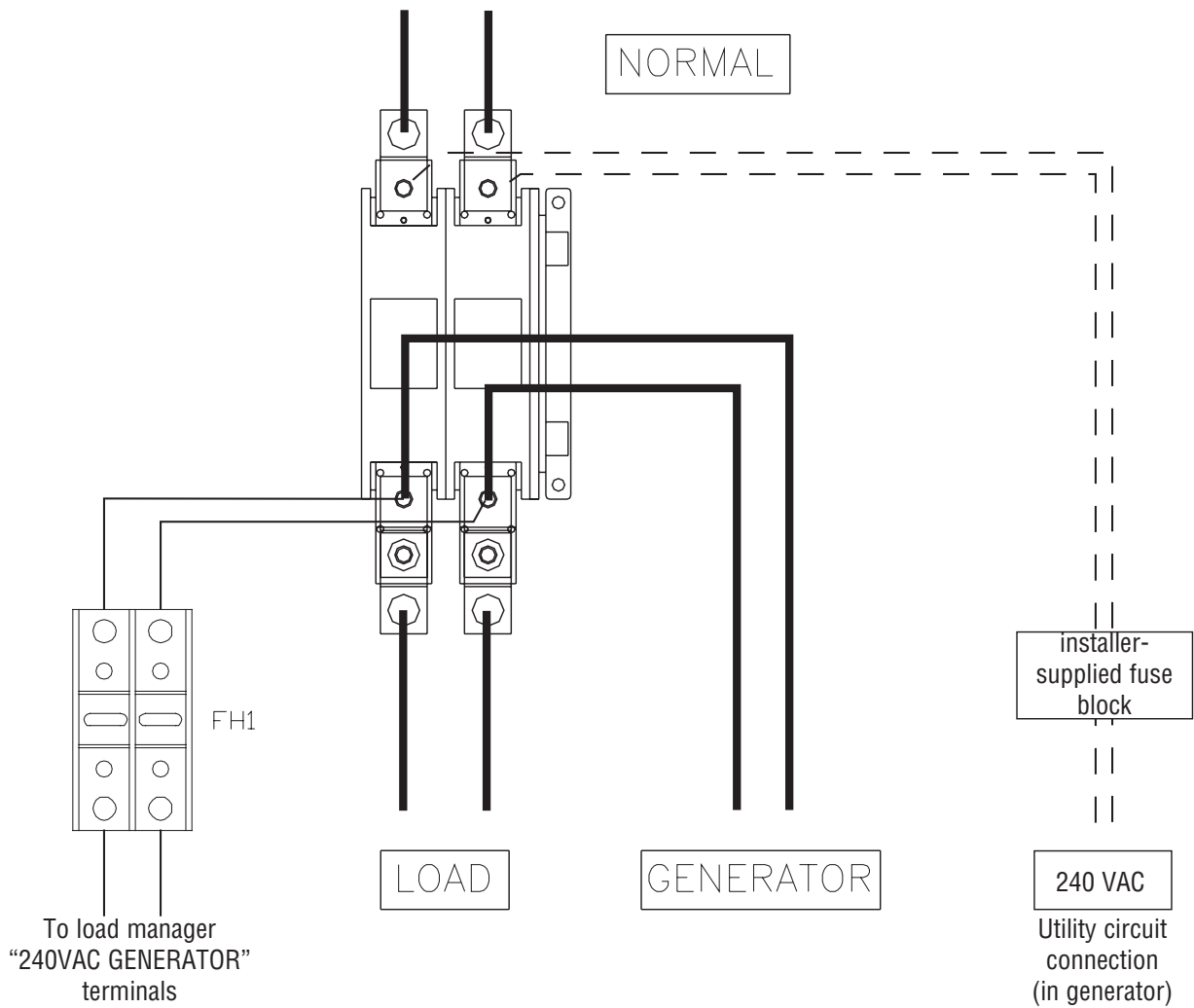


Figure 9 - Dynagen Wiring Diagram

### 90 Day Limited Warranty

This is a "Limited Warranty" as defined in the U.S. Consumer Product Warranty and Federal Trade Commission Improvement Act. This warranty gives you specific legal rights, and you may also have other rights that vary from state to state or country to country.

For a period of 90 days from the date of purchase, any malfunction caused by factory defective parts or workmanship will be corrected at no charge to you. To obtain a refund or a replacement, return the product to the place of purchase along with proof of purchase.

Not Covered - Repair service, adjustment and calibration due to misuse, abuse or negligence and other expendable items are not covered by this warranty. Unauthorized service or modification of any furnished component will void this warranty in its entirety. This warranty does not include reimbursement for inconvenience, labor, installation, set-up time, loss of use or unauthorized service.

This warranty covers only Briggs & Stratton products and is not extended to premises, other equipment, and components that a consumer uses in conjunction with our products.

SUCH REPAIR OR REPLACEMENT SHALL BE THE SOLE REMEDY OF THE CUSTOMER AND THERE SHALL BE NO LIABILITY ON THE PART OF BRIGGS & STRATTON POWER PRODUCTS GROUP, LLC FOR ANY SPECIAL, INDIRECT, INCIDENTAL OR CONSEQUENTIAL DAMAGES, INCLUDING BUT NOT LIMITED TO ANY LOSS OF BUSINESS OR PROFITS, WHETHER OR NOT FORESEEABLE. Some states and countries do not allow the exclusion or limitation of incidental or consequential damages, so the above limitation or exclusion may not apply to you.

**Briggs & Stratton Power Products, LLC.**

**Milwaukee, WI, USA**